

**estratto:
Cap. 27
DATI TECNICI**



PC / PC-R / PM
ME / ME-R / PE

- IT** **Rampe di carico
per veicoli commerciali**
MANUALE INSTALLAZIONE, USO E MANUTENZIONE
(ISTRUZIONI ORIGINALI)
- EN** **Loading ramp
for commercial vehicle**
INSTALLATION, USE AND MAINTENANCE MANUAL
(TRANSLATION OF THE ORIGINAL INSTRUCTIONS)
- FR** **Rampes de chargement
pour véhicules utilitaires**
NOTICE D'INSTALLATION,
D'UTILISATION ET DE MAINTENANCE
(TRADUCTION DE LA NOTICE ORIGINALE)
- DE** **Laderampen
für Nutzfahrzeuge**
MONTAGEANLEITUNG
BETRIEBS- UND WARTUNGSANLEITUNG
(ÜBERSETZUNG DER ORIGINALBETRIEBSANLEITUNG)
- ES** **Rampas de carga
para vehículos comerciales**
MANUAL INSTALACIÓN, USO Y MANTENIMIENTO
(TRADUCCIÓN DE LAS INSTRUCCIONES ORIGINALES)



Cod. - 319.722/2
Ed. - 2019-09-19
Rev. 1.2

WM SYSTEM S.r.l.

42047 ROLO (RE) ITALY

Sede legale: Via 2 Giugno, 5 – Sede operativa: Via Campogrande, 94/96
Tel +39 0522 665664 – Fax +39 0522 660327 – info@wmsystem.com – www.wmsystem.com
P. IVA: IT00325950350

ENGLISH

ITALIANO

27 – STANDARD TECHNICAL DATA

This chapter envisions the technical data related to the PC / PC-R / ME / ME-R / PM / PE range, with the most common sizes, capacities and weights.

Given the high customisation level of these models, the specific technical data of the product purchased by you may differ from the data in this chapter.

The technical data and the actual size of the product you purchased can be found in the section “Ramp technical data” (ANNEX 1 - Cod. 319.702), attached to this manual.

Please consult the attached documentation for the actual technical and manufacturing features as well as for the specific configurations of your loading ramp.

IMPORTANT NOTE

The weights indicated in Tab. 02.1 - 02.2 refer to the ramp fitted with BASE 1; the assembly kit and any optionals are excluded.

The weight of the installation kit depends on the vehicle and varies from a minimum of 2 kg (4.4 lbs) to a maximum of 7 kg (15.4 lbs).

The weight of the base depends on its type (1 or 2 - Fig. 106).

The weight of the type 2 (maxi) base exceeds by 2 kg (4.4 lbs) the weight of the type 1 (standard) base.

27 – DATI TECNICI STANDARD

In questo capitolo sono riportati i dati tecnici relativi alla gamma PC / PC-R / ME / ME-R / PM / PE con dimensioni, portate e pesi più comuni. Dato l'altissimo grado di personalizzazione di questi modelli, i dati tecnici specifici del prodotto da voi acquistato potrebbero differire da quanto riportato in questo capitolo.

I dati tecnici e dimensionali specifici del prodotto da voi acquistato sono consultabili nella sezione “Dati tecnici rampa” (ALLEGATO 1 - Cod. 319.702) allegata al presente manuale.

Fare riferimento a tale documento allegato per le effettive caratteristiche tecnico-costruttive e le configurazioni proprie della vostra rampa di carico.

NOTA IMPORTANTE

I pesi indicati in Tab. 02.1 - 02.2 comprendono la rampa con BASE 1; sono esclusi il kit di montaggio ed eventuali optionals.

Il peso del kit di montaggio dipende dal veicolo e va da un minimo di 2 kg (4.4 lbs) ad un massimo di 7 kg (15.4 lbs).

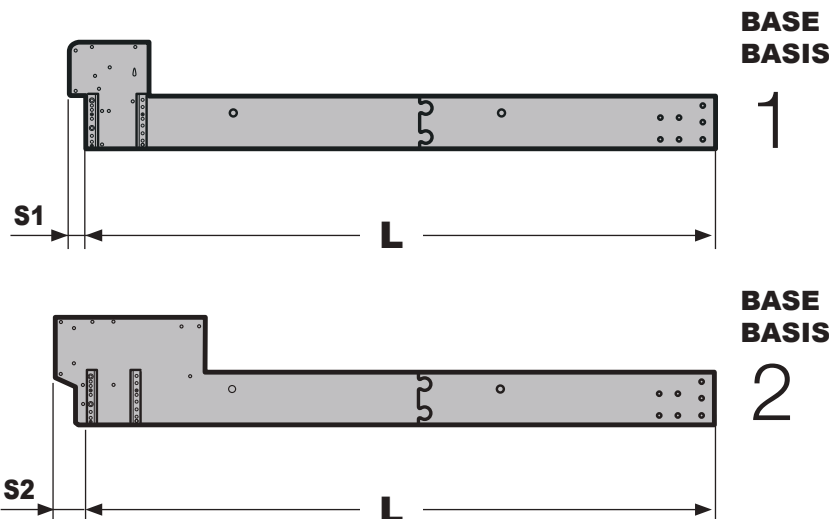
Il peso della base dipende dal tipo della stessa (1 o 2 - Fig. 106).

Il peso della base tipo 2 (maxi) è maggiore di 2 kg (4.4 lbs) rispetto la base tipo 1 (standard).

Fig. 106
Abb. 106

S1 = 52.5 mm 2.067 inch

S2 = 70.0 mm 2.756 inch



DIMENSIONI - DIMENSION - DIMENSIONS - ABMESSUNGEN - DIMENSIONES

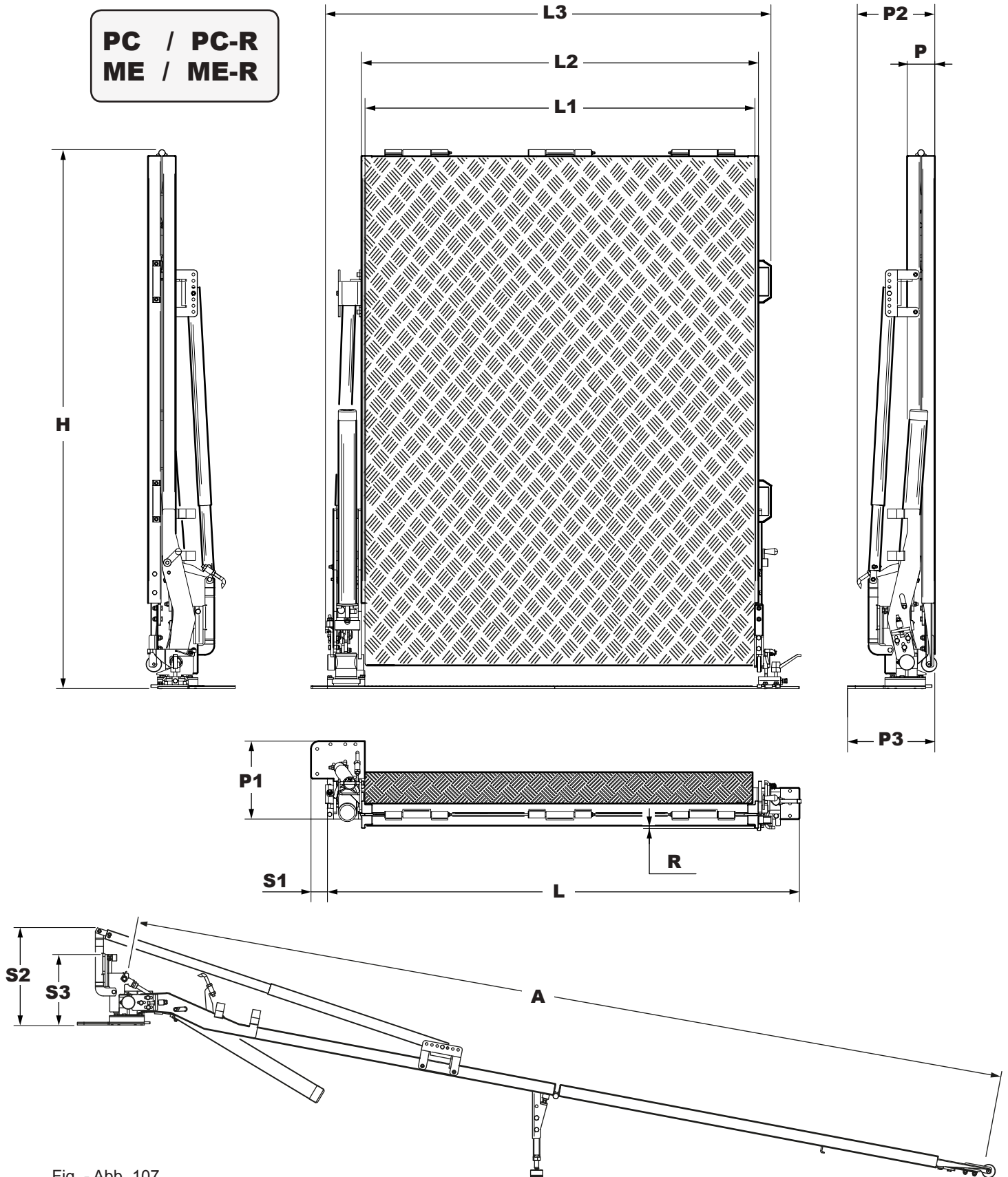


Fig. - Abb. 107

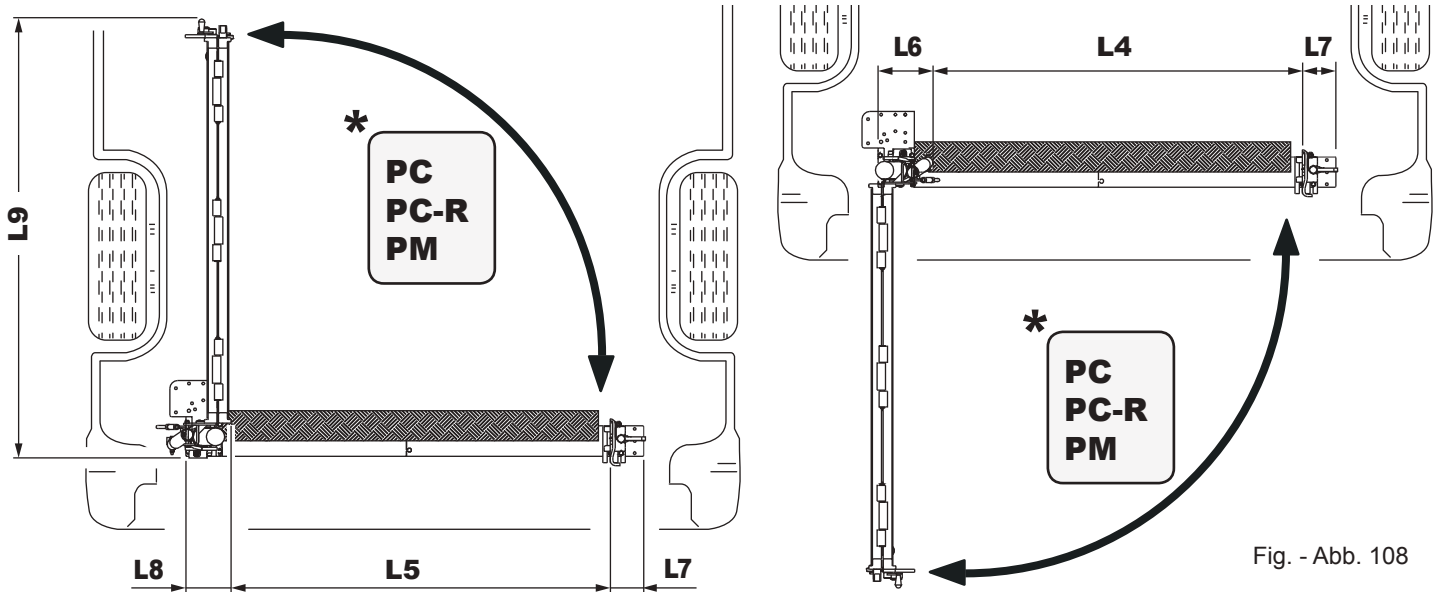


Fig. - Abb. 108

	L1	660	800	850	900	950	1000	1050	1100	1200	1250	1300	1350	1375	mm	Tab. 01
	L2	685	825	875	925	975	1025	1075	1125	1225	1275	1325	1375	1400		
	L3	862	1002	1052	1102	1152	1202	1252	1302	1402	1452	1502	1552	1577		
*	L4	690	830	880	930	980	1030	1080	1130	1230	1280	1330	1380	1405		
	L5	665	805	855	905	955	1005	1055	1105	1205	1255	1380	1505	1630		
	L	925	1065	1115	1165	1215	1265	1315	1365	1465	1515	1565	1615	1665		
	L9	860.6	1000.6	1050.6	1100.6	1150.6	1200.6	1250.6	1300.6	1400.6	1450.6	1500.6	1550.6	1575.6		

	L1	25.98	31.49	33.46	35.43	37.40	39.37	41.33	43.30	47.24	49.21	51.18	53.14	54.13	inch
	L2	26.96	32.48	34.44	36.41	38.38	40.35	42.32	44.29	48.22	50.19	52.16	54.13	55.11	
	L3	33.93	39.44	41.41	43.38	45.35	47.32	49.29	51.25	55.19	57.16	59.13	61.10	62.08	
*	L4	27.16	32.67	34.64	36.61	38.58	40.55	42.51	44.48	48.42	50.39	52.36	54.33	55.31	
	L5	26.18	31.69	33.66	35.62	37.59	39.56	41.53	43.50	47.44	49.40	51.37	53.34	54.31	
	L	36.41	41.92	43.89	45.86	47.83	49.80	51.77	53.74	57.67	59.64	61.61	63.58	65.55	
	L9	33.88	39.39	41.36	43.33	45.30	47.27	49.24	51.20	55.14	57.11	59.08	61.05	62.03	

	A	1950	2100	2200	2300	2400	2500	2600	2700	2800	2900	3000	3100	3200	3250	mm
	H	1090	1165	1215	1265	1315	1365	1415	1465	1515	1565	1615	1665	1715	1740	

	A	76.77	82.67	86.61	90.55	94.48	98.42	102.36	106.29	110.23	114.17	118.11	122.04	125.98	127.95	inch
	H	42.91	45.86	47.83	49.80	51.77	53.74	55.708	57.67	59.64	61.61	63.58	65.55	67.51	68.50	

		mm	inch
*	L6	125	4.921
	L7	110	4.330
	L8	150	5.905
	P	95	3.740
	P1	250	9.842
	P2	250	9.842
	P3	280	11.023
	R	9	0.354
	S1	52.5	2.066
	S2	365	14.37
	S3	265	10.43

PESO DELLA RAMPA

RAMP WEIGHT

POIDS DE LA RAMPE

GEWICHT DER RAMPE

PESO DE LA RAMPA

PC / PC-R / ME / ME-R

I pesi riportati possono discostarsi di ± 10% dai valori effettivi e si riferiscono alle rampe prive di ogni optional.
Il peso della rampa da voi acquistata (priva di eventuali optional) è riportato nell'ALLEGATO 1 (cod. 319.702)

The weights indicated may vary by ± 10% from the actual values and refer to standard ramp models, without any accessories.
The weight of the ramp purchased by you (without any optional accessories) is reported in ANNEX 1 (code 319.702).

Les poids indiqués peuvent avoir un écart de ± 10 % par rapport aux valeurs effectives et se réfèrent aux rampes dépourvues de toute option. Le poids de la rampe que vous avez achetée (dépourvue d'éventuelles options) est indiqué dans l'ANNEXE 1 (cod. 319.702).

Die aufgeführten Gewichte können um ± 10% von den effektiven Werten abweichen und beziehen sich auf Rampen ohne Zubehör. Das Gewicht der von Ihnen gekauften Rampe (ohne Extras) finden Sie im ANHANG 1 (Cod. 319.702).

Los pesos indicados pueden alejarse un ± 10% de los valores efectivos y se refieren a las rampas sin ningún elemento opcional. El peso de la rampa que ha comprado (sin los eventuales elementos opcionales) se indica en el ANEXO 1 (cód. 319.702).

Tab. 02.1

		A													
mm		1950	2100	2200	2300	2400	2500	2600	2700	2800	2900	3000	3100	3200	3250
600 kg	L1														
	660	70	72	73	74	76	78	79	80	81	82	83	84	85	85
	800	73	75	77	78	80	82	83	85	86	88	89	91	92	93
	900	77	79	81	82	84	86	88	90	92	94	96	98	100	101
	950	79	81	83	84	86	88	90	92	94	96	98	100	102	103
	1000	81	83	85	86	88	90	92	94	96	98	101	103	105	106
	1050	82	85	87	88	90	92	94	96	99	101	103	105	107	109
	1100	84	87	89	90	92	95	96	99	101	103	105	108	110	111
	1200	91	94	96	98	100	103	105	108	110	112	118	120	123	124
	1250	93	96	98	100	102	109	111	113	115	118	123	126	130	131
	1300	95	98	100	102	104	114	116	119	121	123	128	131	137	138
	1350	96	100	102	104	106	116	118	121	126	128	133	136	139	141
	1375	98	101	104	106	108	118	120	123	131	133	138	141	142	143
	1000 kg	660	72	74	76	77	79	80	82	83	85	88	89	91	92
		800	76	78	80	82	83	85	86	88	90	91	93	94	96
900		80	82	84	86	87	89	91	92	94	94	97	99	101	102
950		84	86	88	90	92	93	95	97	99	99	102	104	105	106
1000		88	90	92	94	96	98	99	101	103	105	106	108	110	111
1050		91	95	96	98	100	102	103	105	105	109	113	115	117	118
1100		94	100	99	101	103	106	108	110	108	114	120	122	124	125
1200		100	103	106	108	110	113	115	117	124	126	129	131	133	135
1250		102	105	108	110	112	118	121	123	128	130	134	136	141	142
1300		103	107	110	112	114	124	127	129	132	134	139	142	149	150
1500 kg	660	81	84	86	87	89	91	93	94	96	98	95	97	99	100
	800	85	88	90	92	94	95	97	99	101	103	105	106	108	109
	900	89	92	94	96	98	100	102	104	106	108	114	116	118	119
	950	91	94	96	98	100	102	106	108	110	112	116	118	120	121
	1000	93	96	98	100	102	104	111	113	115	117	119	121	123	124
	1050	97	101	103	105	107	112	116	118	120	123	125	127	129	130
	1100	101	105	107	110	112	119	121	123	126	128	131	133	135	137
	1200	108	112	115	118	120	127	130	133	136	138	141	144	147	148
	1250	110	114	117	120	123	130	132	135	138	141	145	148	152	153
	1300	112	116	119	122	125	132	135	138	140	143	149	152	157	159
1800 kg	660	85	88	90	92	94	96	98	100	102	104	102	104	106	107
	800	89	92	94	97	99	101	103	105	107	109	111	113	115	116
	900	93	97	99	101	103	106	108	110	112	114	121	123	125	126
	950	96	99	101	103	106	108	112	114	117	119	123	126	128	129
	1000	98	101	103	106	108	110	117	119	121	124	126	128	130	132
	1050	102	105	108	110	113	117	122	124	127	129	132	134	137	138
	1100	106	110	112	115	118	125	127	130	133	135	138	140	143	144
	1200	113	117	120	123	126	134	137	140	143	146	150	153	156	158
	1250	115	119	123	126	129	136	139	142	146	149	154	157	161	163
	1300	117	122	125	128	131	138	141	144	149	152	158	161	167	168
1350	119	123	127	130	133	140	145	151	154	157	163	166	169	171	
1375	120	125	129	132	135	142	148	157	159	162	168	171	171	173	

kg

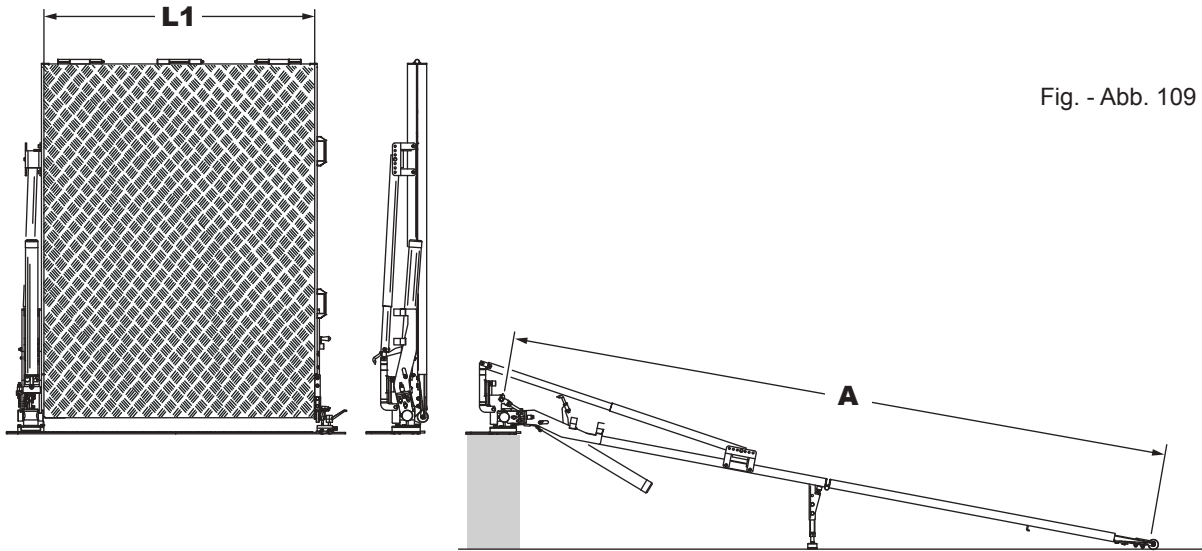


Fig. - Abb. 109

Tab. 02.2

PORTATA - CAPACITY - CAPACITÉ - TRAGKRAFT - CAPACIDAD

		inch														
		A														
L1		76.77	82.67	86.61	90.55	94.48	98.42	102.36	106.29	110.23	114.17	118.11	122.04	125.98	127.95	
1322 lbs	25.99	154.32	158.73	160.94	163.14	167.55	171.96	174.16	176.37	178.57	180.78	182.98	185.19	187.39	187.39	
	31.49	160.94	165.34	169.75	171.96	176.37	180.78	182.98	187.39	189.59	194.00	196.21	200.62	202.82	205.03	
	35.43	169.75	174.16	178.57	180.78	185.19	189.59	194.00	198.41	202.82	207.23	211.64	216.05	220.46	222.66	
	37.40	174.16	178.57	182.98	185.19	189.59	194.00	198.41	202.82	207.23	211.64	216.05	220.46	224.87	227.07	
	39.37	178.57	182.98	187.39	189.59	194.00	198.41	202.82	207.23	211.64	216.05	222.66	227.07	231.48	233.69	
	41.33	180.78	187.39	191.80	194.00	198.41	202.82	207.23	211.64	218.25	222.66	227.07	231.48	235.89	240.30	
	43.30	185.19	191.80	196.21	198.41	202.82	209.44	211.64	218.25	222.66	227.07	231.48	238.10	242.50	244.71	
	47.24	200.62	207.23	211.64	216.05	220.46	227.07	231.48	238.10	242.50	246.91	260.14	264.55	271.16	273.37	
	49.21	205.03	211.64	216.05	220.46	224.87	240.30	244.71	249.12	253.53	260.14	271.16	277.78	286.60	288.80	
	51.18	209.44	216.05	220.46	224.87	229.28	251.32	255.73	262.35	266.76	271.16	282.19	288.80	302.03	304.23	
	53.14	211.64	220.46	224.87	229.28	233.69	255.73	260.14	266.76	277.78	282.19	293.21	299.82	306.44	310.85	
	54.13	216.05	222.66	229.28	233.69	238.10	260.14	264.55	271.16	288.80	293.21	304.23	310.85	313.05	315.26	
	2204 lbs	25.99	158.73	163.14	167.55	169.75	174.16	176.37	180.78	182.98	187.39	194.00	194.00	196.21	200.62	202.82
		31.49	167.55	171.96	176.37	180.78	182.98	187.39	189.59	194.00	198.41	200.62	205.03	207.23	211.64	213.85
		35.43	176.37	180.78	185.19	189.59	191.80	196.21	200.62	202.82	207.23	207.23	213.85	218.25	222.66	224.87
		37.40	185.19	189.59	194.00	198.41	202.82	205.03	209.44	213.85	218.25	218.25	224.87	229.28	231.48	233.69
39.37		194.00	198.41	202.82	207.23	211.64	216.05	218.25	222.66	227.07	231.48	233.69	238.10	242.50	244.71	
41.33		200.62	209.44	211.64	216.05	220.46	224.87	227.07	231.48	231.48	240.30	249.12	253.53	257.94	260.14	
43.30		207.23	220.46	218.25	222.66	227.07	233.69	238.10	242.50	238.10	251.32	264.55	268.96	273.37	275.57	
47.24		220.46	227.07	233.69	238.10	242.50	249.12	253.53	257.94	273.37	277.78	284.39	288.80	293.21	297.62	
49.21		224.87	231.48	238.10	242.50	246.91	260.14	266.76	271.16	282.19	286.60	295.42	299.82	310.85	313.05	
51.18		227.07	235.89	242.50	246.91	251.32	273.37	279.98	284.39	291.01	295.42	306.44	313.05	328.48	330.69	
53.14		231.48	240.30	244.71	251.32	266.76	277.78	284.39	288.80	299.82	306.44	317.46	324.07	332.89	335.10	
54.13		235.89	244.71	249.12	255.73	279.98	282.19	288.80	293.21	310.85	317.46	328.48	335.10	339.51	341.71	
3306 lbs		25.99	178.57	185.19	189.59	191.80	196.21	200.62	205.03	207.23	211.64	216.05	209.44	213.85	218.25	220.46
		31.49	187.39	194.00	198.41	202.82	207.23	209.44	213.85	218.25	222.66	227.07	231.48	233.69	238.10	240.30
		35.43	196.21	202.82	207.23	211.64	216.05	220.46	224.87	229.28	233.69	238.10	251.32	255.73	260.14	262.35
		37.40	200.62	207.23	211.64	216.05	220.46	224.87	233.69	238.10	242.50	246.91	255.73	260.14	264.55	266.76
	39.37	205.03	211.64	216.05	220.46	224.87	229.28	244.71	249.12	253.53	257.94	262.35	266.76	271.16	273.37	
	41.33	213.85	222.66	227.07	231.48	235.89	246.91	255.73	260.14	264.55	271.16	275.57	279.98	284.39	286.60	
	43.30	222.66	231.48	235.89	242.50	246.91	262.35	266.76	271.16	277.78	282.19	288.80	293.21	297.62	302.03	
	47.24	238.10	246.91	253.53	260.14	264.55	279.98	286.60	293.21	299.82	304.23	310.85	317.46	324.07	326.28	
	49.21	242.50	251.32	257.94	264.55	271.16	286.60	291.01	297.62	304.23	310.85	319.67	326.28	335.10	337.30	
	51.18	246.91	255.73	262.35	268.96	275.57	291.01	297.62	304.23	308.64	315.26	328.48	335.10	346.12	350.53	
	53.14	251.32	260.14	266.76	273.37	279.98	295.42	302.03	313.05	319.67	326.28	339.51	346.12	352.73	354.94	
	54.13	255.73	264.55	271.16	277.78	284.39	299.82	306.44	324.07	330.69	337.30	350.53	357.14	357.14	361.55	
	3968 lbs	25.99	187.39	194.00	198.41	202.82	207.23	211.64	216.05	220.46	224.87	229.28	224.87	229.28	233.69	235.89
		31.49	196.21	202.82	207.23	213.85	218.25	222.66	227.07	231.48	235.89	240.30	244.71	249.12	253.53	255.73
		35.43	205.03	213.85	218.25	222.66	227.07	233.69	238.10	242.50	246.91	251.32	266.76	271.16	275.57	277.78
		37.40	211.64	218.25	222.66	227.07	233.69	238.10	246.91	251.32	257.94	262.35	271.16	277.78	282.19	284.39
39.37		216.05	222.66	227.07	233.69	238.10	242.50	257.94	262.35	266.76	273.37	277.78	282.19	286.60	291.01	
41.33		224.87	231.48	238.10	242.50	249.12	257.94	268.96	273.37	279.98	284.39	291.01	295.42	302.03	304.23	
43.30		233.69	242.50	246.91	253.53	260.14	275.57	279.98	286.60	293.21	297.62	304.23	308.64	315.26	317.46	
47.24		249.12	257.94	264.55	271.16	277.78	295.42	302.03	308.64	315.26	321.87	330.69	337.30	343.92	348.33	
49.21		253.53	262.35	271.16	277.78	284.39	299.82	306.44	313.05	321.87	328.48	339.51	346.12	354.94	359.35	
51.18		257.94	268.96	275.57	282.19	288.80	304.23	310.85	317.46	328.48	335.10	348.33	354.94	368.17	370.37	
53.14		262.35	271.16	279.98	286.60	293.21	308.64	319.67	332.89	339.51	346.12	359.35	365.96	372.58	376.98	
54.13		264.55	275.57	284.39	291.01	297.62	313.05	326.28	346.12	350.53	357.14	370.37	376.98	376.98	381.39	

lbs

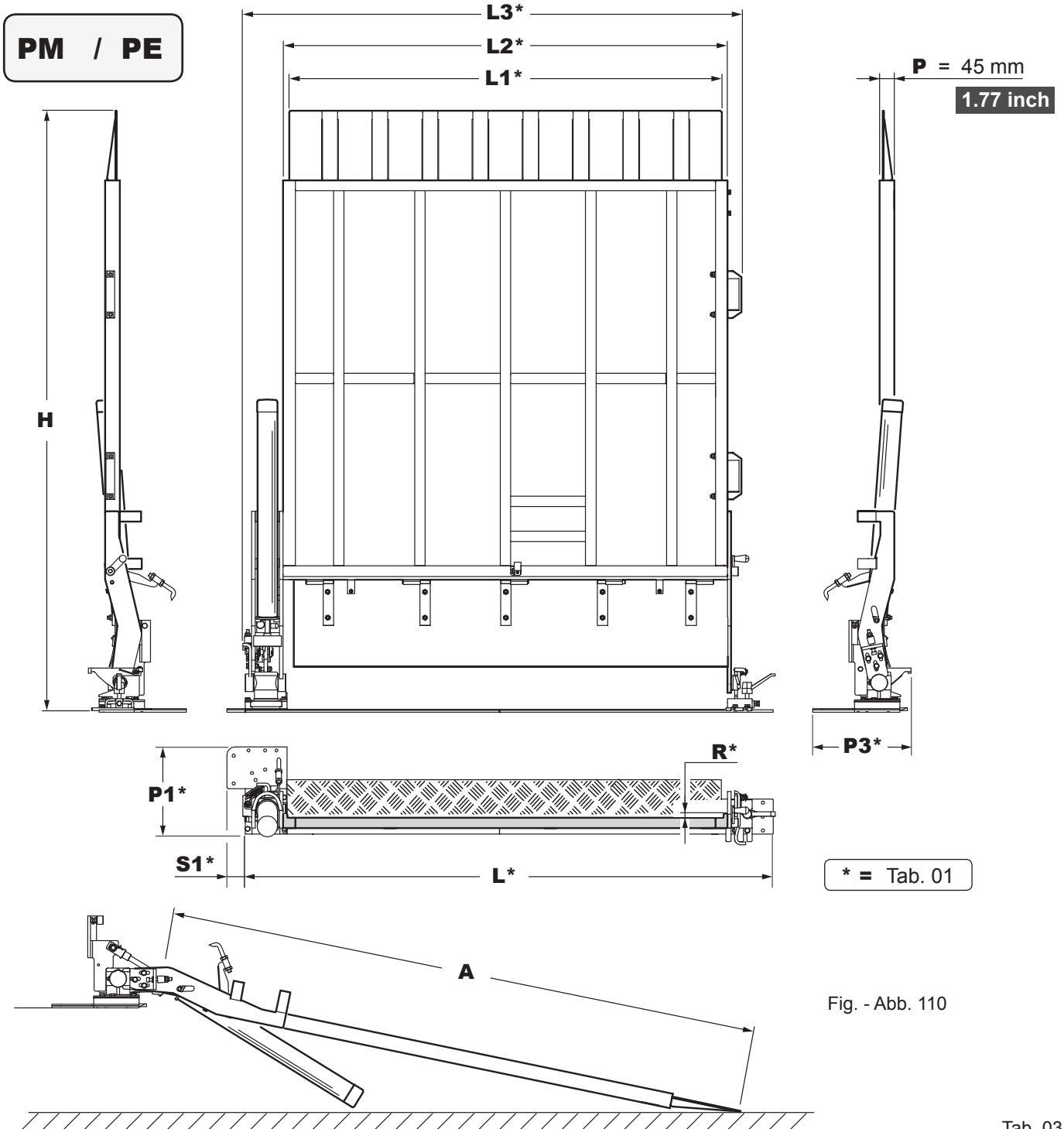


Fig. - Abb. 110

Tab. 03

H	1200	1250	1300	1350	1400	1450	1500	1550	1600	1650	1700	1750	1800	1850	1900	1950	2000	mm
A	1075	1125	1175	1225	1275	1325	1375	1425	1475	1525	1575	1625	1675	1725	1775	1825	1875	
H	47.24	49.21	51.18	53.14	55.11	57.08	59.05	61.02	62.99	64.96	66.92	68.89	70.86	72.83	74.80	76.77	78.74	inch
A	42.32	44.29	46.25	48.22	50.19	52.16	54.13	56.10	58.07	60.03	62.00	63.97	65.94	67.91	69.88	71.85	73.81	

PESO DELLA RAMPA | RAMP WEIGHT | POIDS DE LA RAMPE | GEWICHT DER RAMPE | PESO DE LA RAMPA

PM / PE

Il peso della rampa da voi acquistata (priva di eventuali optional) è riportato nell'AL-LEGATO 1 (cod. 319.702).

The weight of the ramp purchased by you (without any optional accessories) is reported in ANNEX 1 (code 319.702).

Le poids de la rampe que vous avez achetée (dépourvue d'éventuelles options) est indiqué dans l'ANNEXE 1 (cod. 319.702).

Das Gewicht der von Ihnen gekauften Rampe (ohne Extras) finden Sie im ANHANG 1 (Cod. 319.702).

El peso de la rampa que ha comprado (sin los eventuales elementos opcionales) se indica en el ANEXO 1 (cód. 319.702).

PENDENZA %

Per i valori di pendenza (Z) in % eventualmente non presenti in Tab. 04 utilizzare la formula:

INCLINATION %

For slope values (Z) in % not shown in Tab. 04 use the formula:

PENTE %

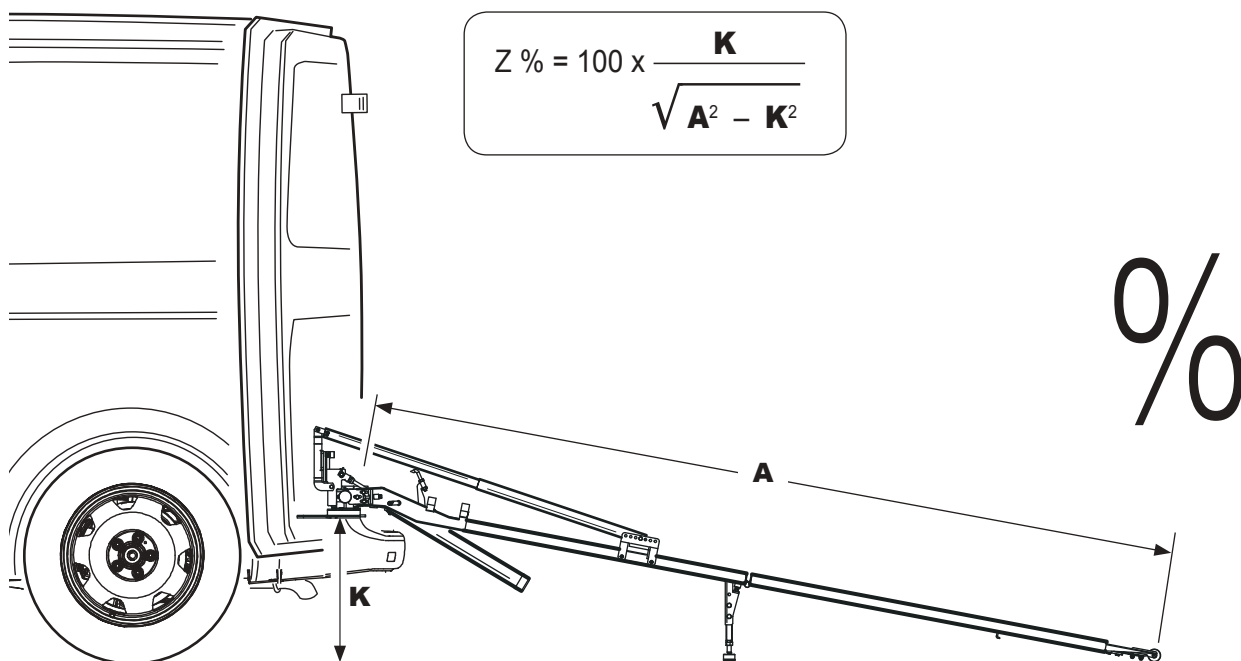
Pour les valeurs d'inclinaison (Z) en % éventuellement non présentes dans le Tab. 04 utiliser la formule:

SLOPE %

Bei Neigungswerten (Z) in % die in der Tab. nicht aufgeführt werden, verwendet man folgende Formel:

PENDIENTE %

Para los valores con pendiente (Z) en % eventualmente no presentes en la Tab. 04 utilizar la fórmula:



$$Z \% = 100 \times \frac{K}{\sqrt{A^2 - K^2}}$$

Fig. - Abb. 111

Tab. 04

K
ALTEZZA DEL VEICOLO DA TERRA — VEHICLE FLOOR HEIGHT
HAUTEUR DE CHARGEMENT — LADEKANTENHÖHE DES FAHRZEUGES
ALTURA DEL SUELO DE CARGA DEL VEHÍCULO

A		K								mm inch
		300	400	500	600	700	800	900	1000	
mm	inch	11.81	15.74	19.68	23.62	27.55	31.49	35.43	39.37	inch
1950	76.77	15.5 %	20.9 %	26.5 %	32.3 %	38.4 %	44.9 %	52.0 %	59.7 %	
2100	82.67	14.4 %	19.4 %	24.5 %	29.8 %	35.3 %	41.2 %	47.4 %	54.1 %	
2200	86.61	13.7 %	18.4 %	23.3 %	28.3 %	33.5 %	39.0 %	44.8 %	51.0 %	
2300	90.55	13.1 %	17.6 %	22.2 %	27.0 %	31.9 %	37.0 %	42.5 %	48.2 %	
2400	94.48	12.5 %	16.9 %	21.3 %	25.8 %	30.4 %	35.3 %	40.4 %	45.8 %	
2500	98.42	12.0 %	16.2 %	20.4 %	24.7 %	29.1 %	33.7 %	38.5 %	43.6 %	
2600	102.36	11.6 %	15.5 %	19.5 %	23.7 %	27.9 %	32.3 %	36.8 %	41.6 %	
2700	106.29	11.1 %	14.9 %	18.8 %	22.7 %	26.8 %	31.0 %	35.3 %	39.8 %	
2800	110.23	10.7 %	14.4 %	18.1 %	21.9 %	25.8 %	29.8 %	33.9 %	38.2 %	
2900	114.17	10.4 %	13.9 %	17.5 %	21.1 %	24.8 %	28.6 %	32.6 %	36.7 %	
3000	118.11	10.0 %	13.4 %	16.9 %	20.4 %	23.9 %	27.6 %	31.4 %	35.3 %	
3100	122.04	9.7 %	13.0 %	16.3 %	19.7 %	23.1 %	26.7 %	30.3 %	34.0 %	
3200	125.98	9.4 %	12.5 %	15.8 %	19.0 %	22.4 %	25.8 %	29.3 %	32.8 %	
3250	127.95	9.2 %	12.4 %	15.5 %	18.7 %	22.0 %	25.3 %	28.8 %	32.3 %	

Z

OPTIONS - OPTIONALS - ELEMENTOS OPCIONALES

I pesi riportati possono discostarsi di ± 10% dai valori effettivi.

The weights indicated may vary by ± 10% from the actual values.

Les poids indiqués peuvent avoir un écart de ± 10 % par rapport aux valeurs effectives.

Die aufgeführten Gewichte können um ± 10% von den effektiven Werten abweichen

Los pesos indicados pueden alejarse un ± 10% de los valores efectivos.

KIT ALLUNGAMENTO AMOVIBILE

REMOVABLE EXTENSION KIT

KIT D'ALLONGEMENT AMOVIBILE

ABNEHMBARES VERLÄNGERUNGSKIT

KIT ALARGAMIENTO AMOVIBLE

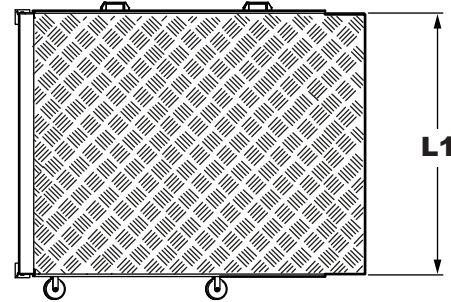
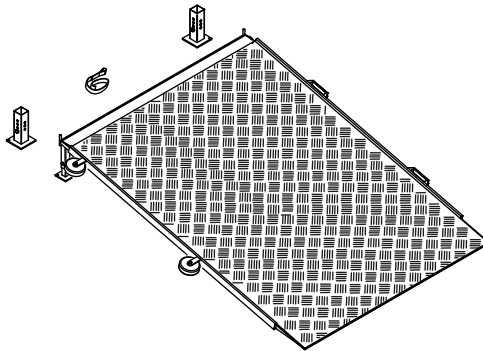
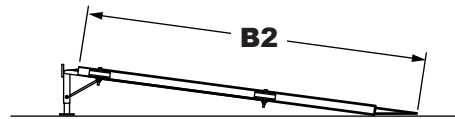


Fig. - Abb. 112

Tab. 05

		mm	1250										
		B2											
		L1	800	900	950	1000	1050	1100	1200	1250	1300	1350	
Portata Capacity Capacité Tragkraft Capacidad	Kg	600	32	36	37	39	41	43	46	48	49	51	Peso Weight Poids Gewicht Peso
		1000	36	39	41	42	44	49	53	55	56	58	
		1500	38	41	43	45	46	53	57	58	60	62	
		1800	41	44	46	48	50	57	60	62	64	66	
													Kg

		inch	49.21										
		B2											
		L1	31.49	35.43	37.40	39.37	41.33	43.30	47.24	49.21	51.18	53.14	
Portata Capacity Capacité Tragkraft Capacidad	lbs	1322	70.54	79.36	81.56	85.97	90.38	94.79	101.41	105.82	108.02	112.43	Peso Weight Poids Gewicht Peso
		2204	79.36	85.97	90.38	92.59	97.00	108.02	116.84	121.25	123.45	127.86	
		3306	83.77	90.38	94.79	99.20	101.41	116.84	125.66	127.86	132.27	136.68	
		3968	90.38	97.00	101.41	105.82	110.22	125.66	132.27	136.68	141.09	145.50	
													lbs

KIT SUPPLEMENTARE
(3° PEZZO)

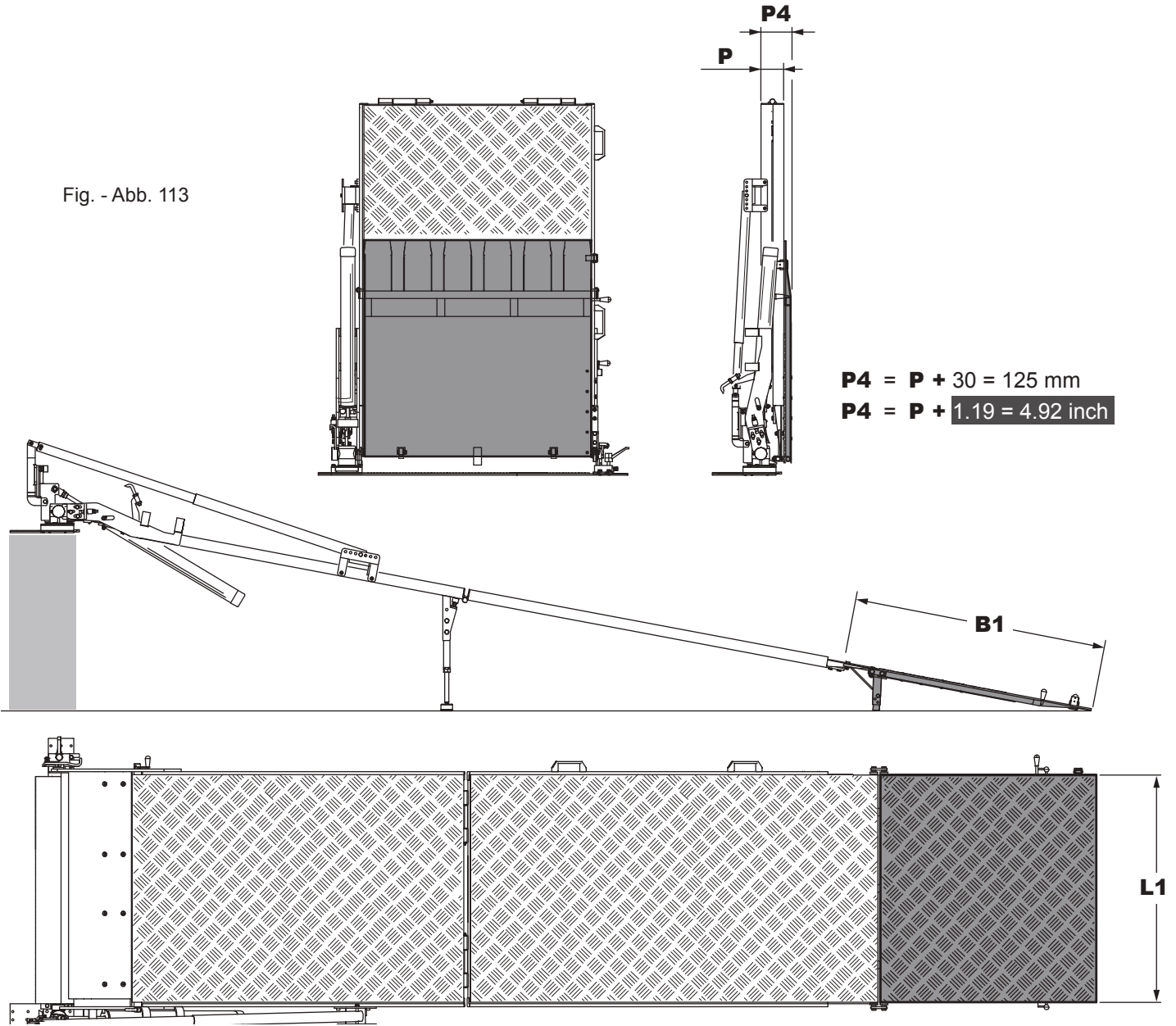
SUPPLEMENTARY KIT
(3° PIECE)

KIT SUPPLEMENTAIRE
(3ème PARTIE)

VERLÄNGERUNGS-KIT
(3. TAFELTEIL)

KIT SUPLEMENTARIA
(3° PIEZA)

Fig. - Abb. 113



Tab. 06

B1	mm				inch			
	800	900	950	1000	31.49	35.43	37.40	39.37
L1	800	900	950	1000	31.49	35.43	37.40	39.37
Peso Weight Poids Gewicht Peso	17	18	18	19	37.47	39.68	39.68	41.88
Portata Capacity Capacité Tragkraft Capacidad	600				1322			
	kg				lbs			